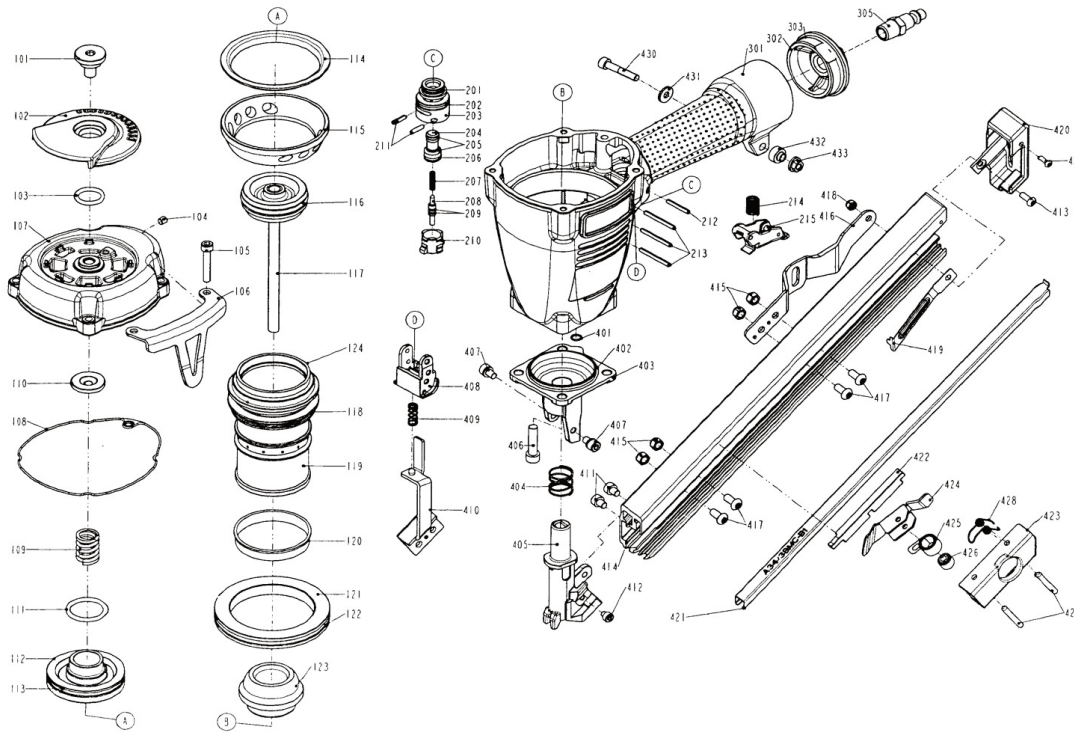


FRH38THH METAL CONNECTOR NAILER

For replacement parts contact your usual Tacwise supplier.

Exploded view drawing



Item	Description	Item	Description
101	Deflector Pad	215	Trigger Unit
102	Deflector	301	Gun Body Unit
103	O-Ring	302	End Cap
104	Hex. Soc. HD. Screw	303	O-Ring
105	Hex. Soc. HD. Bolt	305	Air Plug
106	Spring Retainer	401	O-Ring
107	Cap	402	O-Ring
108	Packing	403	Base
109	Compression Spring	404	Spring
110	Seal	405	Nose Piece
111	O-Ring	406	Bolt Assembly
112	HD. Valve Piston	407	Bolt Assembly
113	O-Ring	408	Safety Guide
114	Press Ring	409	Safety Spring
115	Cylinder Press Ring	410	Safety
116	O-Ring	411	Hex. Soc. HD. Bolt
117	Driver Unit	412	Hex. Soc. HD. Bolt
118	O-Ring	413	Half Round HD. Hex. Bolt
119	Cylinder	414	Magazine A
120	Cylinder Ring	415	Lock Nut
121	Cylinder Spacer	416	Positioning Sheet
122	O-Ring	417	Half Round HD. Hex. Bolt
123	Bumper	418	Lock Nut
124	Collar	419	Stop Nail Plate
201	O-Ring	420	Protecting Hood Cover
202	O-Ring	421	Steel Channel
203	Plunger Cap	422	Safety Stopper
204	Valve Plunger	423	Protecting Hood Cover
205	O-Ring	424	Pusher
206	O-Ring	425	Spring
207	Spring	426	Rolling Element
208	Plunger	427	Roll Pin
209	O-Ring	428	Spring
210	Trigger Valve Head	429	Half Round HD. Hex. Bolt
211	Spring Pin	430	Hex. Soc. HD. Bolt
212	Spring Pin	431	Flat Washer
213	Spring Pin	432	Latch Spring Bushing
214	Spring	433	Bolt Cap